



Regd.Off.: 87/4 MIDC Satpur,
Nashik – 422007, Maharashtra,
India

T : 0253-2357438
E : info@apil.co.in
W : www.apil.co.in
Tool Free: 1800 233 4062

Akanksha Power and Infrastructure Ltd.

CIN : U40104MH2008PLC184149

MSME : UDYAM-MH-23-0014661

To,
National Stock Exchange of India Limited
Exchange Plaza, C - 1, Block - G,
Bandra Kurla Complex,
Bandra (East), Mumbai – 400 051

Date: 14/11/2024

Scrip Symbol – AKANKSHA

Sub: Investor Presentation for the Month of September 2024.

Dear Sir,

Ref: Update under Regulation 30 of the SEBI (Listing Obligations and Disclosure Required) Regulations, 2015.

With reference to the above captioned subject, we Akanksha Power and Infrastructure Limited, hereby submits the Update Investor Presentation for all our stakeholders of the company and public at large the Investor Presentation for the September 2024.

This aforesaid presentation will also be made available on the companies' website.

We request you to kindly take the same on your records.

Thanking you,

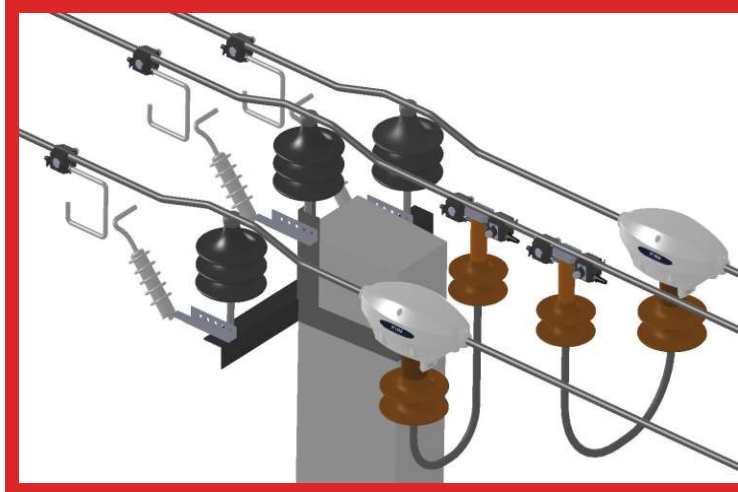
Yours faithfully,

For **Akanksha Power and Infrastructure Limited**

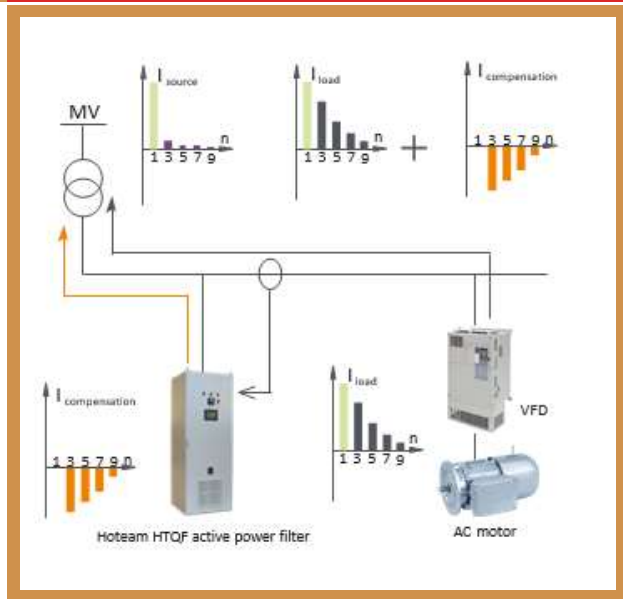
Hariom Kushawaha
Company Secretary
Mem. No. 68173



NEW DEVELOPMENT



Q-Quality
C-Cost
D-Delivery



AKANKSHA has completed 16 years in the industry.

The company has its manufacturing set-up in Nashik, 160 K.M. from Mumbai, Maharashtra.

Vision

To be the premier and a strategic player in the areas of AT&C loss reduction, to provide a sustainable and long-term growth to all the stakeholders of the company.

Mission

To be an unparalleled strategic service and solution provider by leveraging our deep knowledge and expertise of the industry for better management of wasted electricity resources by the industries, energy transparency for the DISCOMs to identify and control the commercial losses in the system.





Intelligent electricity meters AkU 384 are multifunctional devices and are designed to measure active and reactive electrical energy; active, reactive and full power, phase currents and line voltages in three-phase three-wire AC electrical networks with an insulated neutral voltage 6/11 kV

Can be used autonomously or as part of automated electricity metering and control systems

Transmission of measured and calculated network parameters to the control room is carried out by the request of the operator or in automatic mode



**“AkU”
a signature
direct
measuring
device for
Medium
voltage**



COMPARISON

Existing Solution

Presently the medium voltage metering is done by using CT-PT metering Unit / Metering Cubical.

Bulky in size - Weight 170-300 kg.
Dimensions 886x1230x1050 mm

Installation with the use of lifting machines, pole structures etc.

Use of secondary electrical circuit

Several elements (CT, VT, Meter, box, Poles etc.) are required.



APIL's Solution

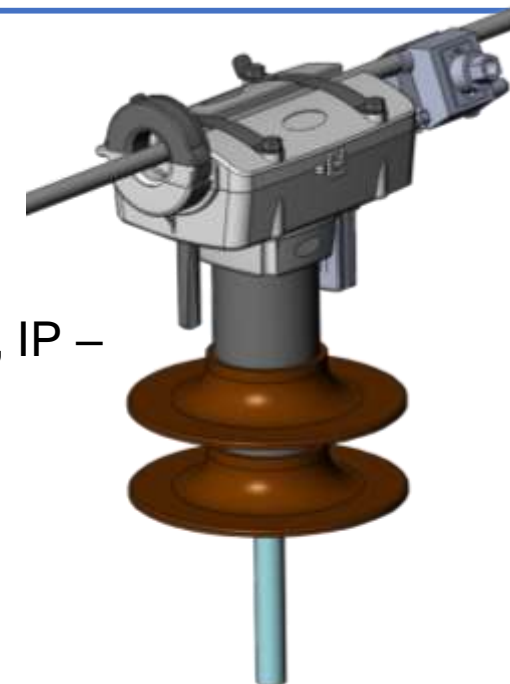
Proposed solution is a direct measurement device, outdoor, IP – 65 class.

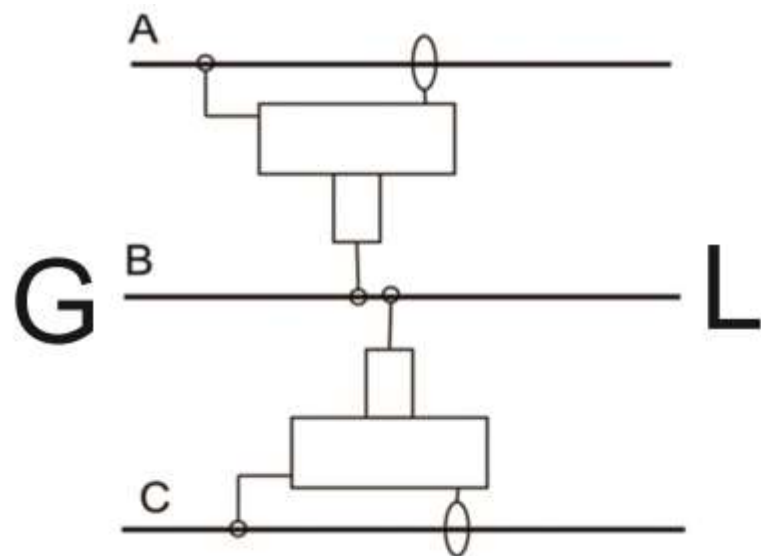
Weight is just 2.3 kg
Dimensions 260x140x110 mm

Installation without the use of any lifting machine, even without cut/break in power line circuits.

No secondary electrical circuit required

No elements like CT, VT, Meter box etc. are required,





“AkU”
*Electricity
Measurement
in networks
with isolated
neutral*



Execution	Basic current/maximal, A	Rated voltage, kV	Starting current, mA	Accuracy rating	Meter constant, cp/kWh
RiM 384.01	20/100	6	20	0.5 S /1.0	500
RiM 384.02	20/100	11	20	0.5 S /1.0	500
RiM 384.03	20/200	6	20	0.5 S /1.0	500
RiM 384.04	20/200	11	20	0.5 S /1.0	500

“AkU”
Variants



Features

Placement directly on the power line or on the feeder.

Work both autonomously and as part of the AMI using GSM (redundancy with dual SIM cards) and RF interfaces.

High resistance to mechanical, climatic, and electromagnetic influences.

Ability to work with Mobile Terminal.

Ability to work with a remote display.

SMS messages in case of emergency situations (message mask can be set); automatic sending of SMS reports on a Schedule; Automatic sending of log data on a schedule (the log mask, sending period and destination address can be set).

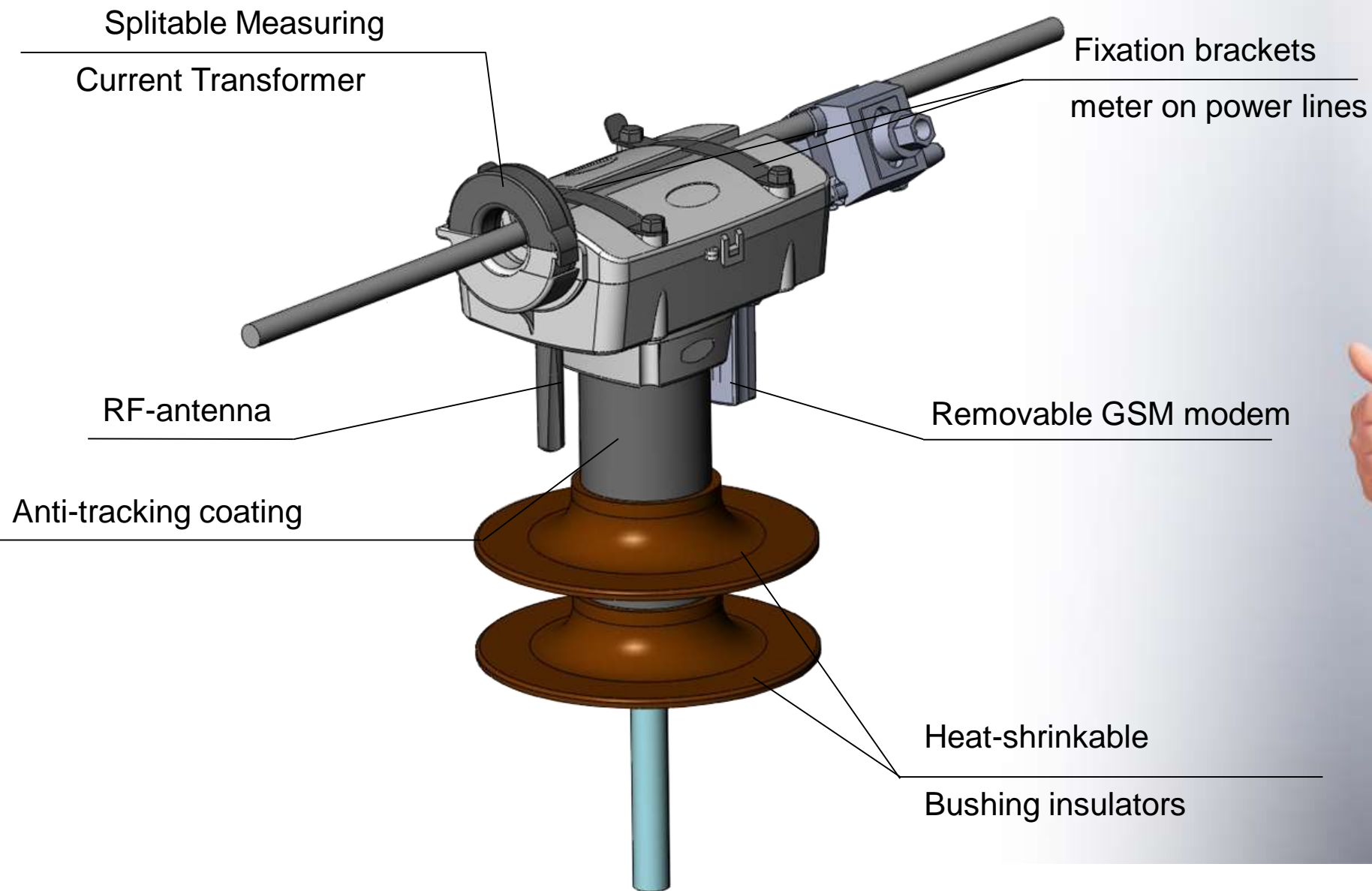
Average service life of at least 16 years.



“AkU”
Features



Features

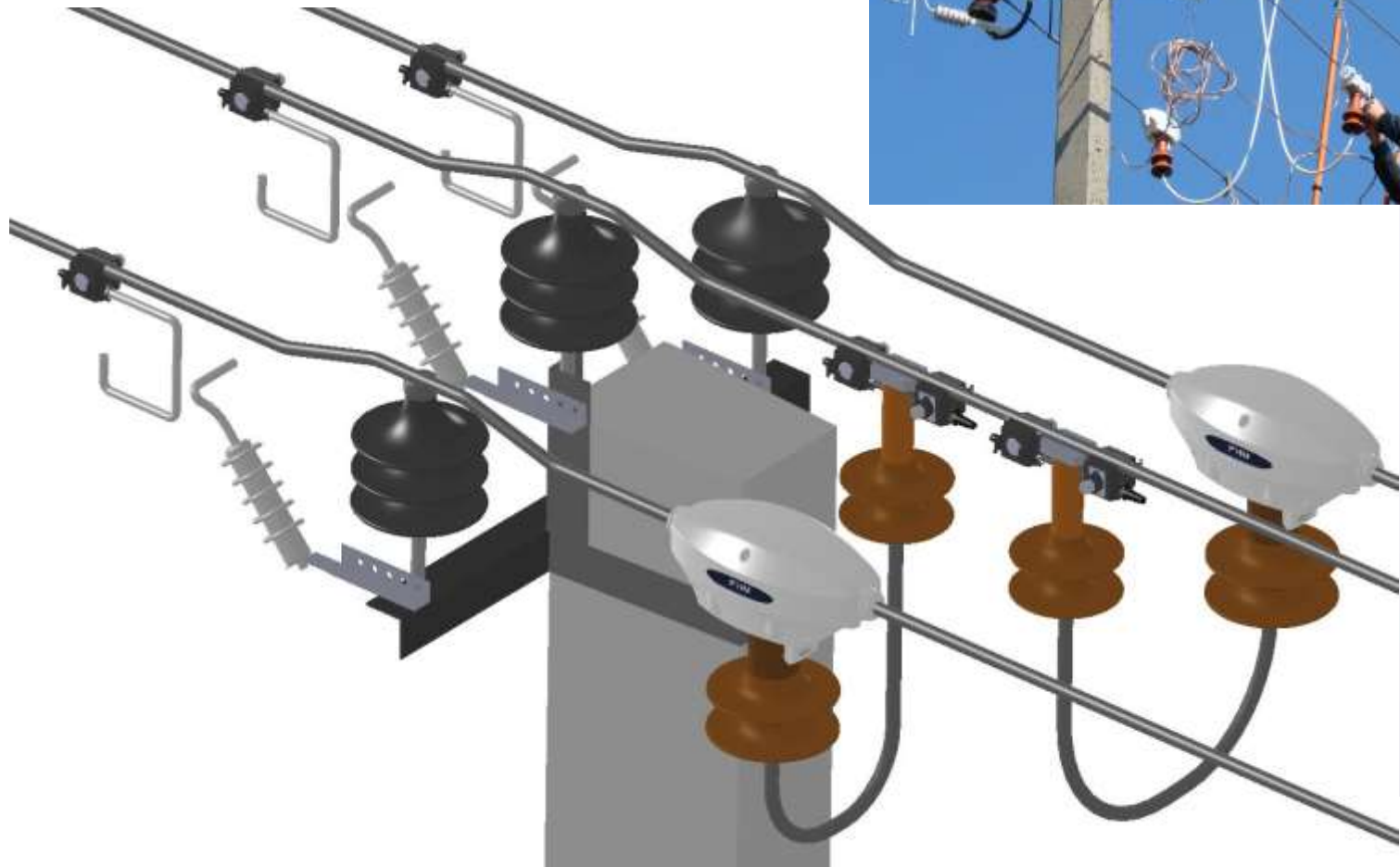


**“AkU”
Construction**





Installation



**“AkU”
Installation**



AKANKSHA is one of the leading companies in the world which provides “**End-to-End**” solutions for AT&C Loss reduction initiatives



Thank you

Bipin B Dasmohapatra
+91 9370345000